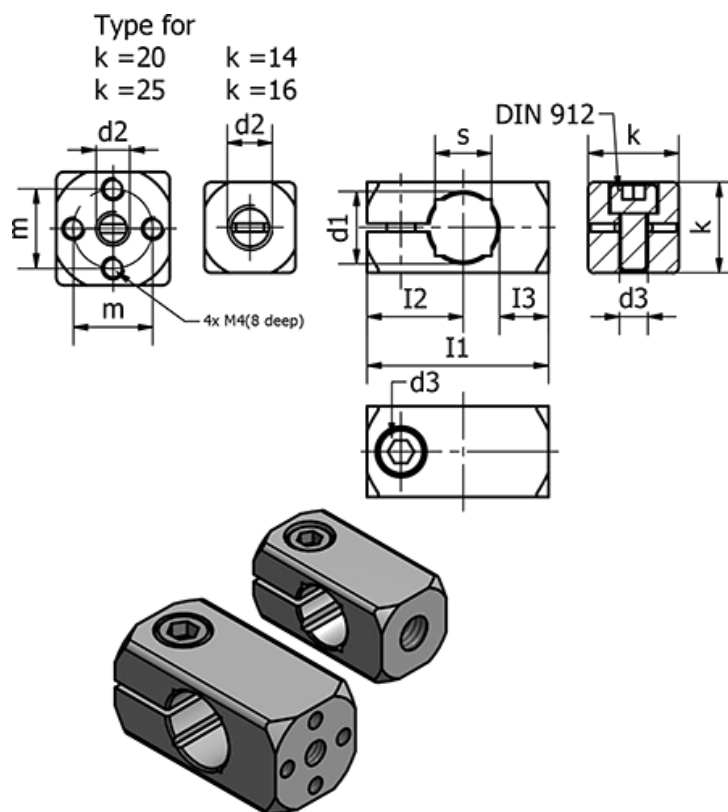


Article number: 20478B20M10MT

Description: E+G Clamp mounting - GN 478-B20-M10-MT

Measures



Clamping kit for $d2 = GN 511-M6-25$	m	$= 17$	
$d1$ h11	$= 20$	s	$= 16$
$d2$	$= M10$	Weight (g)	$= 50$
$d3$	$= M6$		
$I1$	$= 45$		
$I2$	$= 21.5$		
$I3$	$= 12$		
k	$= 25$		